

GS 77J1C01-01E

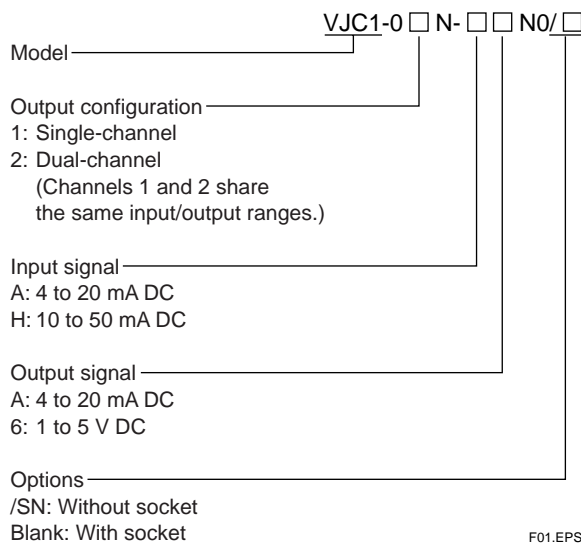
General

The VJC1 is a plug-in signal isolator that receives current signals from a signal source and converts them into isolated DC voltage or isolated DC current signals. The VJC1 isolator can operate without any driving power source.

The VJC1 isolator features:

- a choice of single-channel and dual-channel models; and
- close side-by-side mounting.

Model and Suffix Codes



Items to be specified when ordering

- Model and Suffix Code: e.g. VJC1-02N-AAN0

Input/Output Specifications

Input signal: 4 to 20 mA DC or 10 to 50 mA DC

Input resistance:

Input signal	Current output mode	Voltage output mode
4 to 20 mA DC	250 Ω + Secondary stage load resistance	500 Ω
10 to 50 mA DC	100 Ω + Secondary stage load resistance	350 Ω

Allowable voltage level: 30 V DC

Output signal: 4 to 20 mA DC or 1 to 5 V DC

Allowable load resistance:

Input signal	Current output mode	Voltage output mode
4 to 20 mA DC	Allowable load resistance of input signal source - 250 Ω	500 kΩ minimum
10 to 50 mA DC	Allowable load resistance of input signal source - 100 Ω	500 kΩ minimum

Output resistance: 250 Ω (for voltage output)

Standard Performance

Accuracy rating: ±0.1% of span; ±0.3% of span for 10 to 50 mA input

Response: 100 ms for a 63% response when in current output mode (10 to 90% change of range)

Insulation resistance: 100 MΩ minimum at 500 V DC across input and output terminals, and between channels

Withstanding voltage: 1500 V AC for one minute across input and output terminals; 2000 V AC for one minute between channels

Operating temperature range: 0 to 50°C

Operating humidity range: 5 to 90% RH (no condensation)

Effects of ambient temperature variations: Up to ±0.2% of span per 10°C

Mounting and Appearance

Material: ABS resin (casing)

Mounting: Wall mounting, DIN rail mounting, or mounting on a side-by-side multiple mounting base

Connection: Terminals with M3 size screws

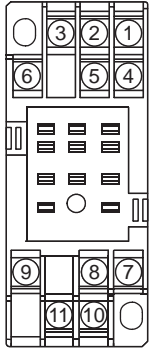
External dimensions: 76 (H) × 29.5 (W) × 124.5 (D) mm

Weight: Main unit = approx. 124 g; socket = approx. 51 g

Accessories

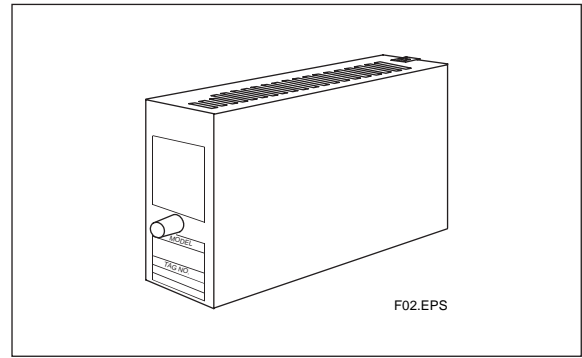
Tag number label: One

Terminal Assignments



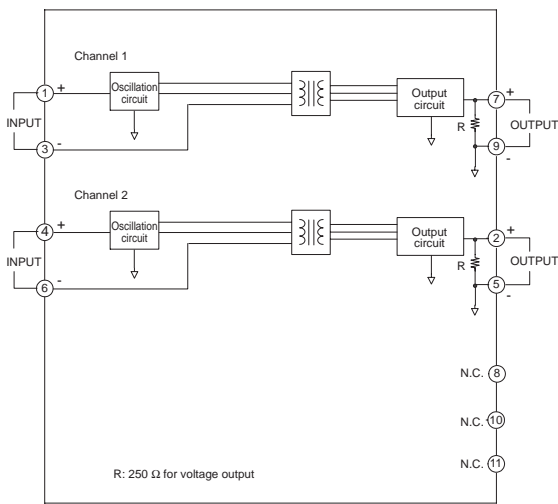
1	INPUT (+) (Channel 1)
2	OUTPUT (+) (Channel 2)
3	INPUT (-) (Channel 1)
4	INPUT (+) (Channel 2)
5	OUTPUT (-) (Channel 2)
6	INPUT (-) (Channel 2)
7	OUTPUT (+) (Channel 1)
8	N.C.
9	OUTPUT (-) (Channel 1)
10	N.C.
11	N.C.

F03.EPS



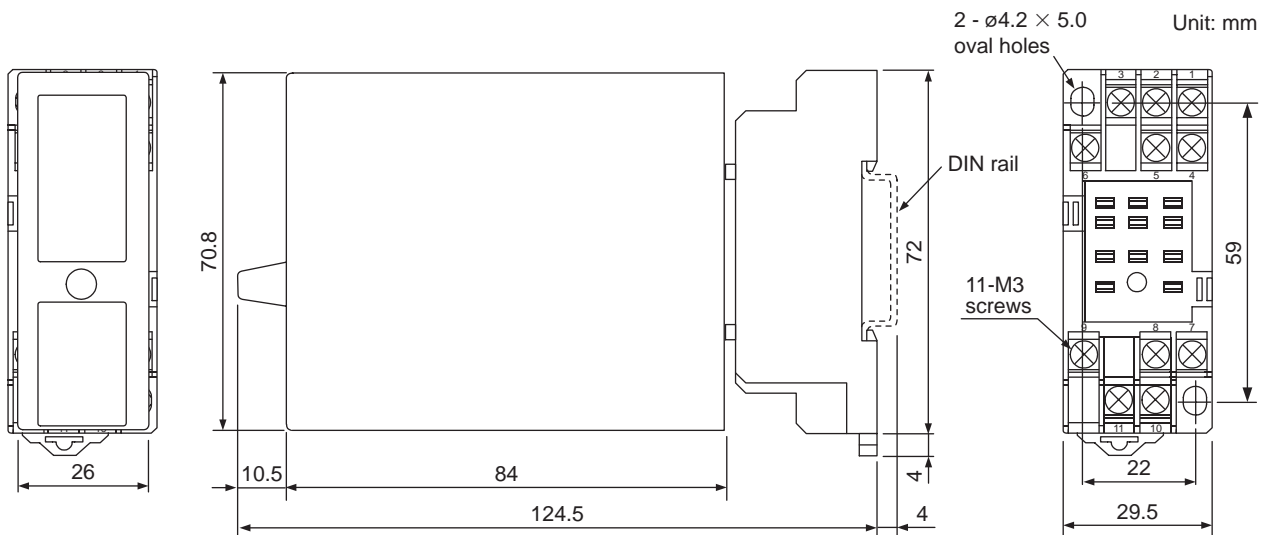
F02.EPS

Block Diagram



F04.EPS

External Dimensions



F05.EPS

• The information covered in this document is subject to change without notice for reasons of improvements in quality and/or performance.